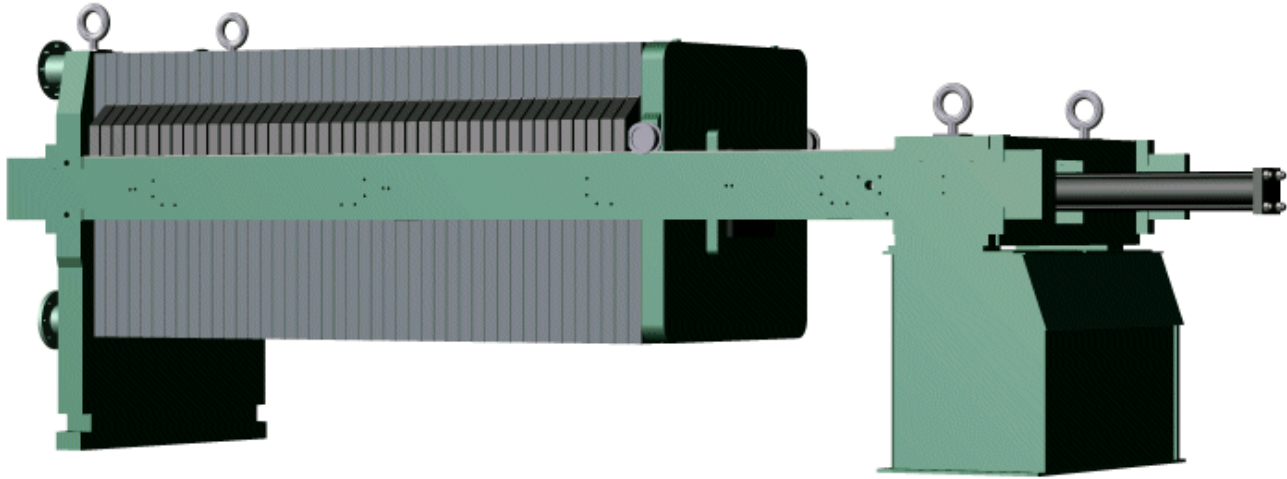


WESTPRO filter presses



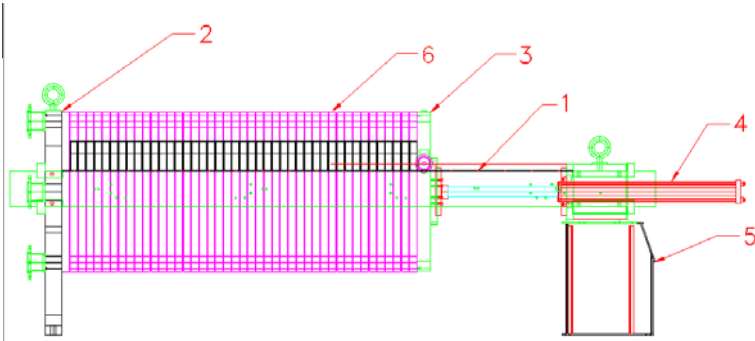
applications

Westpro's versatile filter presses are designed for a vast range of applications.

- Mineral Industry
- Chemical Industry
- Industrial Process
- Wastewater Treatment
- Food and Beverage

advantages

- Easy installation
- Customized for your application
- Heavy duty construction
- Corrosion protected
- User friendly control system
with programmable logic controller



Model	Plate Size	Range of Chambers	Filter Area Range (sq. ft.)	Cake Volume Range (cu. ft.)
FP450	18"X18"	3 to 25	10 to 83	0.45 to 3.75
FP600	24"X24"	7 to 28	42 to 170	2.03 to 8.12
FP750	30"X30"	16 to 49	165 to 505	7.36 to 22.54
FP900	36"X36"	20 to 50	256 to 640	12.0 to 30.0
FP1200	48"X48"	30 to 50	705 to 1175	33.9 to 56.5
FP1500	60"X60"	30 to 50	1088 to 1812	58.5 to 97.5

1. Sidebar Frame

- Heavy duty construction
- Solid steel sidebars
- Epoxy coated for protection
- Stainless steel top runners
- Precision machined for uniform press and sealing

2. Head Plate

- Solid steel with corrosion protection
- Flanged connections with poly liners
- Precision machined

3. Moveable Plate

- Solid steel with corrosion protection
- Precision rollers
- Reinforced plate
- Precision cylinder attachment

4. Hydraulic Cylinder

- Heavy duty construction
- Dual acting
- Flange mounted

5. Hydraulic System

- Hydraulic power unit
- Voltage to suit
- Control System with programmable logic controller
- Operator control panel

6. Filter Plates

- Polypropylene
- Recessed or plate & frame

Westpro Machinery Inc.

P.O. Box 726

Vernon, BC

Canada V1T 6N6

Tel: (250) 549-6710

Fax: (250) 549-6735

Toll Free: 1-877-WESTPRO (937-8776)

Email: sales@westpromachinery.com