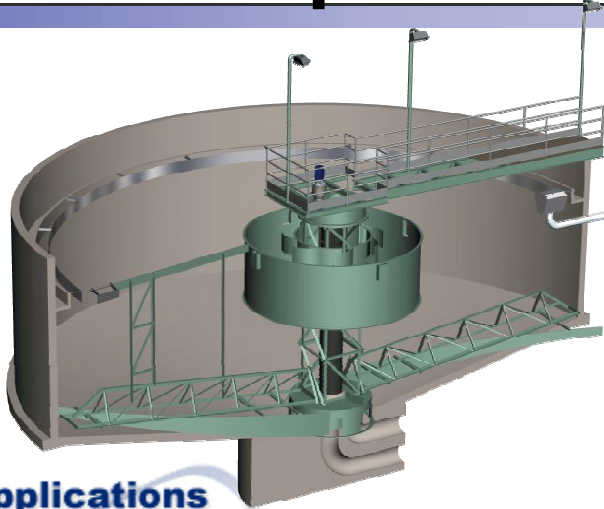


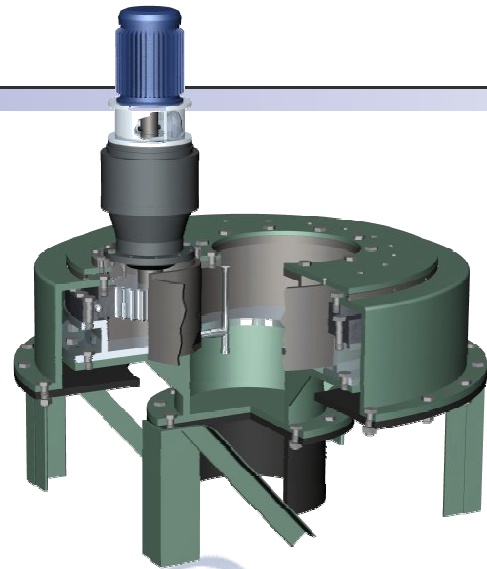
center pier clarifiers



applications

Westpro's center pier clarifiers are designed for various water and wastewater applications.

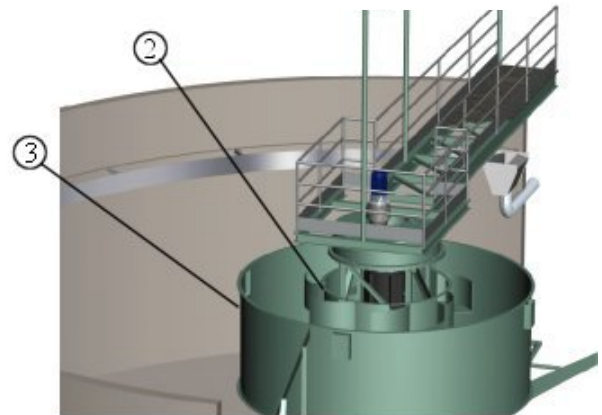
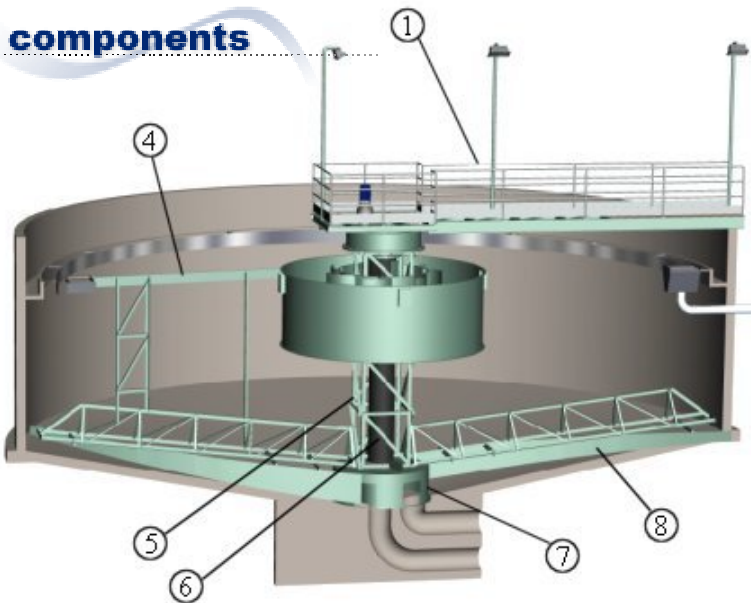
- Wastewater industry
- Secondary clarification
- Fermenting
- Industrial minerals
- Petroleum industry



advantages

- Low maintenance
- High efficiency spiral blades
- Electrical torque limiter
- Mechanical shear pin
- Heavy-duty construction
- Complete variable speed
- Reversible operation

components



1. Bridge Walkway & Platform

- Customizable deflection & width
- Optional walkway lighting
- Various grating material options
- Aluminum handrails
- Removable from system

2. Rotating EDI

- Various construction material options
- Multiple tangential diffuser gates
- Closed bottom with holes designed as per required retention time.

3. Flocculating Feedwell

- Baffled openings for scum exit
- Supported from drive cage

4. Scum Collection Device (optional)

- Circumferential scum baffles
- Tangential skimmers (quantity as requested)
- Wiper assembly
- Scum trough

5. Drive Cage

- Heavy-duty design for high torque applications
- Corrosion protection
- Supports EDI and flocculating feedwell

6. Center Support Column

- Capable of high torque applications
- C/W diffusing ports
- Various construction material options

7. Sludge Withdrawal Ring (optional)

- Designed to centralize sludge prior to exiting the system.

8. Sludge Collector Rakes

- Efficient spiral sludge collection design
- Heavy-duty construction

Westpro Machinery Inc.

P.O. Box 726

Vernon, BC

Canada V1T 6N6

Tel: (250) 549-6710

Fax: (250) 549-6735

Toll Free: 1-877-WESTPRO (937-8776)

Email: sales@westpromachinery.com