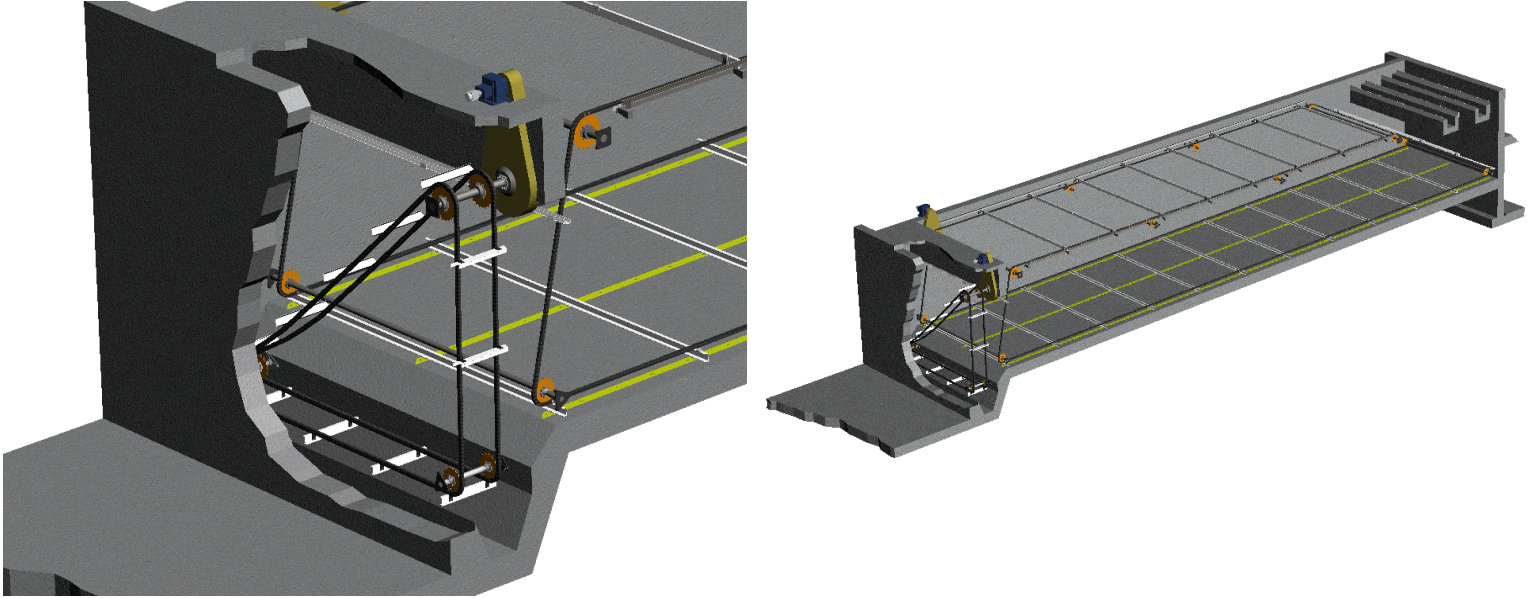


# WESTPRO primary clarifier

Westpro's primary clarifier is specifically designed for sludge collection in wastewater treatment.



## components

1. **Drive Unit**
  - In-line helical reducer
  - Explosion proof electric motor
2. **Polymeric/Cast Iron Drive Sprocket**
3. **Polymeric Driven Sprocket**
4. **Non-Metallic Collector Chain**
5. **Fiberglass Flights**
6. **UHMW Wearing shoes**
7. **Cold-Finished Headshaft**
8. **Cold-Finished Stub Shafts**
9. **Water lubricated Headshaft Bearings**
10. **Stainless Steel Return Tracks**
11. **Fiberglass Deflector Angles C/W UHMW Wear Strips**
12. **UHMW Floor Wear Strips**
13. **Self-Centering Drive Chain Tightener**

## advantages

- Heavy-duty construction
- Compact Design
- Easily assembled and disassembled
- Low maintenance
- Complete variable speed

**WESTPRO – A Proud Canadian Manufacturer**

[www.westpromachinery.com](http://www.westpromachinery.com)

**Westpro Machinery Inc.**  
P.O. Box 726  
Vernon, BC  
Canada V1T 6N6  
Tel: (250) 549-6710  
Fax: (250) 549-6735  
Toll Free: 1-877-WESTPRO (937-8776)  
Email: [sales@westpromachinery.com](mailto:sales@westpromachinery.com)

advanced  
technology