

WESTPRO

portable crushing unit



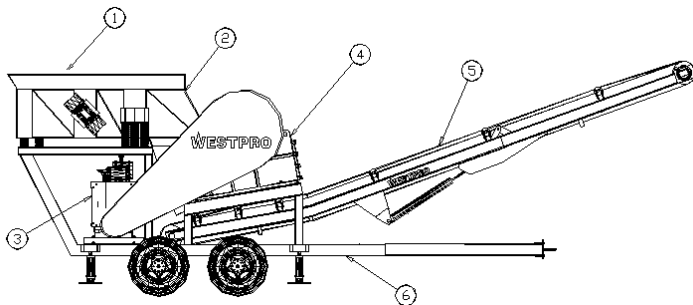
applications

Westpro's portable crusher unit is designed for a vast range of applications.

- Aggregate operations
- Medium size mines
- Road construction
- Railway engineering
- Waste management
- Demolition site

advantages

- Heavy-duty construction
- Easily transported behind 1 ton truck (PCU 1030 or tandem dump (PCU1524))
- Quick setup
- Easily converted to handle different products
- High stacking discharge conveyor
- Completely adjustable for different capacities



components

- Vibrating Feeder**
 - Impact resistant
 - Replaceable grizzly bars
 - Heavy duty construction
- Fines Chute**
 - By-pass chute to conveyor
 - Impact resistant
- Diesel Drive Unit**
 - Cummins or John Deere
 - 80 HP – 125 HP
- Crushing Unit**
 - High capacity crushing
 - Robust construction
 - Easy maintenance
- Discharge Conveyor**
 - Adjustable speed
 - High discharge
 - Hydraulic fold for transport
 - Heavy duty belt
- Chassis**
 - Tandem axle dual tire
 - Pintle hitch

MODEL	FEED SIZE	TON PER HR	PRODUCT SIZE SETTINGS
PCU 1030	8"	20-100	1" to 2 1/2"
PCU 1524	12"	75-200	1 1/2" to 5"

Westpro Machinery Inc.
P.O. Box 726
Vernon, BC
Canada V1T 6N6
Tel: (250) 549-6710
Fax: (250) 549-6735
Toll Free: 1-877-WESTPRO (937-8776)
Email: sales@westpromachinery.com